

# APEXA® G



## Features

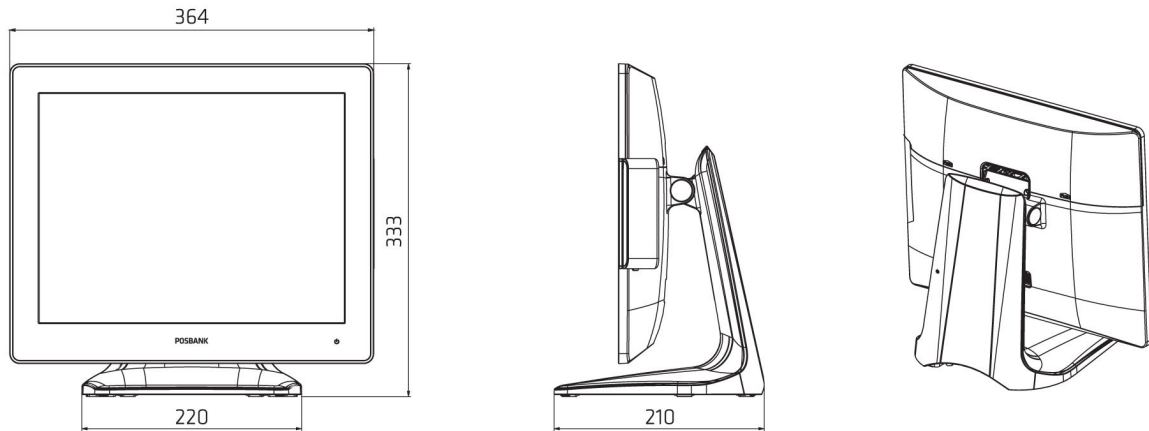
- Low-Power High-Performance Intel® Celeron® J1900 Quad-Core Processor, Fanless
- Sleek and Compact Body
- 15" Bezel-Free True-Flat Display with PCAP Touch
- LED Backlight Delivering Bright and Crisp Images
- Multiple I/O Interfaces for Peripherals
- Flexible Installation on a Counter or a Wall
- Faster Installation and Serviceability

## Specifications

System	Processor	Intel® Celeron® J1900 (2M Cache, 2.0/2.42 GHz(Burst), Quad Core), Fanless	
	Chipset	Intel® Bay Trail	
	Memory	4GB Standard, DDR3L 1600 MT/s, max 8GB	
	Storage	SATA 2 (3Gb/s) 2.5 inch SSD 128GB, Support AHCI	
	Operating Systems	Windows 7, Windows 8.1, Windows 10 IoT Enterprise, POS Ready 7	
	Audio	Realtek ALC662-VD	
Display	Type	15" TFT LCD, LED Backlight	
	Resolution	1024 x 768	
	Brightness	300 cd/m <sup>2</sup> (typ.)	
	Touchscreen	Projective Capacitive Touch	
Interface	Display	1 x VGA (With Power Output)	
	USB	6 (Rear 2, Back 4, USB 3.0 x 2, USB 2.0 x 4)	
	Serial		6 (COM 1 with 5V/12V Power Output on 9 Pins, BIOS) (COM2~3 RJ-45, Full Signal) (COM4 RJ-11, Only TX/RX, 12V Power Output, Reserved for CDP) (COM5 Reserved for Cash Drawer Port) (COM6 RJ-45, Only TX/RX, 5V Power Output, Reserved for MSR)
		LAN	1 x Gigabit Ethernet, RJ-45
		Audio	1 x Line-out
	Power DC-IN	1x (4 Pin Connector)	
	Power	Power Supply	Adaptor 12V, 5A
Physical & Environmental	Operating Temperature	0 °C ~ 60 °C at 10% to 90% Humidity	
	Storage Temperature	-20 °C ~ 80 °C at 10% to 90% Humidity	
	Dimensions (W x H x D)	364 x 333 x 210 (mm), 14.3 x 13.1 x 8.2 (in)	
	Net Weight	5,300g, 11.6lbs	
	Color	Matte Dark Grey, High Gloss White	
	Warranty	3 Years	
	What's in the Box	Apexa G, Adapter, Power Code, Installation Guide	
Options & Peripherals	2nd Displays	9.7", 12.1", 15" LCD Display, 1024 x 768, Optional Touchscreen	
	Customer Display	VFD, 20 Columns x 2 Lines	
	Storage	2.5 inch SSD 256GB, HDD 500GB, 1TB	
	Magnetic Stripe Reader	Comply with ISO 7811, Support 1 & 2 & 3 Track	
	Smart Card Reader	EMV Level 1, 2	
	Wall Mount Kit	VESA-Compatible, 75 x 75 (mm), 100 x 100 (mm)	
	Serial Conversion Cable	RJ-45 to D-sub 9	
WiFi	Mini PCIe for Wireless LAN		

## Dimensions

Unit : mm



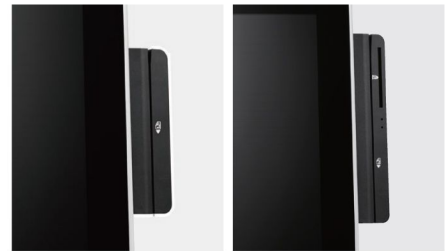
## Peripherals



**2nd Display**  
• 9.7", 12.1", 15" LCD



**Customer Display**  
• VFD (2 Line x 20 Characters)



**Card Reader**  
• MSR, SCR



**POSBANK<sup>®</sup>**

[www.posbank.in](http://www.posbank.in) [sales@posbank.in](mailto:sales@posbank.in)

No 42, 100 Feet Road, 4th Block, Koramangala, Bangalore - 560032, India, Tel: 080 48900998

Design and manufacturing in Seoul, South Korea by POSBANK Co. Ltd

The product information and specification are subjected to change without prior notice..